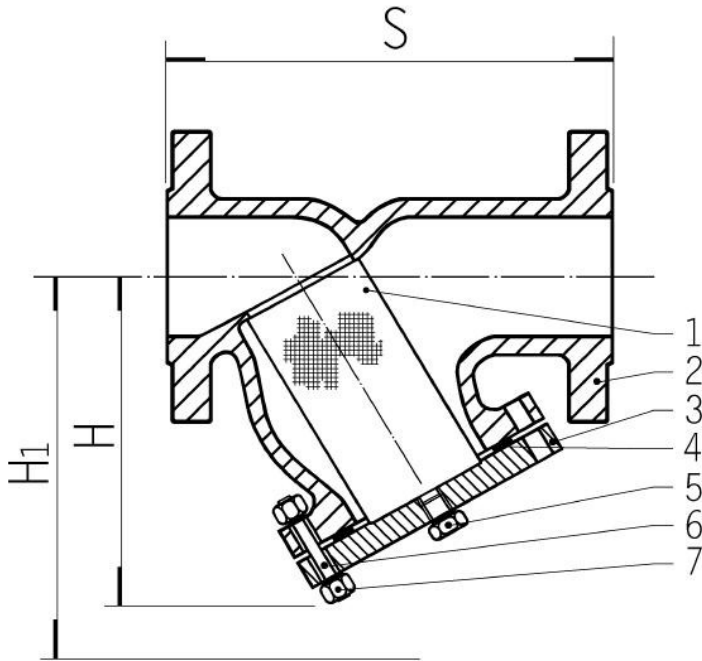




Soluzioni e servizi che fanno del tuo business un successo
Solutions and services that make your business successful

FILTRI AD Y IN ACCIAIO FLANGIATI ANSI
FLANGED ANSI Y STEEL STRAINER



Drawing No.
DT-SY-002

rev.1

STRAINER
"Y" TYPE
CLASS
150-300-600
FLANGED ENDS

CLASS 150 LBS					CLASS 300 LBS					CLASS 600 LBS				
Size	S	H	H1	Wght.	Size	S	H	H1	Wght.	Size	S	H	H1	Wght.
2"	203	140	190	14	2"	267	175	250	20	2"	292	193	270	35
2½"	216	180	220	20	2½"	292	190	260	32	2½"	330	230	280	40
3"	241	210	260	26	3"	318	240	275	45	3"	356	260	320	60
4"	292	270	340	40	4"	356	330	360	65	4"	432	310	400	95
5"	356	310	380	50	5"	400	340	420	80	5"	-	-	-	-
6"	406	360	400	68	6"	445	380	470	105	6"	559	400	530	230
8"	495	460	580	140	8"	559	500	575	180	8"	660	500	650	400
10"	622	570	660	190	10"	622	625	920	254	10"	787	600	790	590
12"	699	700	800	270	12"	711	740	1100	430	12"	838	720	1200	700

Part	Description	Material (WCB)	Material (WC6)	Material (CF8M)
1	Screen	ASTM A479 TP304	ASTM A479 TP304 or TP316	ASTM A479 TP316
2	Body	ASTM A216 Gr.WCB	ASTM A217 Gr.WC6	ASTM A351 Gr.CF8M
3	Cover	Carbon steel	Alloy steel	Stainless steel
4	Gasket	SS304+Graphoil	SS304 or SS316+Graphoil	SS316+Graphoil
5	Drain Plug	ASTM A182 Gr.F304	ASTM A182 Gr.F304 or Gr.F316	ASTM A182 Gr.F316
6	Bolt	ASTM A193 B7	ASTM A193 B16	ASTM A193 B8
7	Nut	ASTM A194 2H	ASTM A194 4	ASTM A194 8

Notes: Standard screen perforation: 1.5mm. Standard Drain Plug size: 3/4" inch.